

D

C

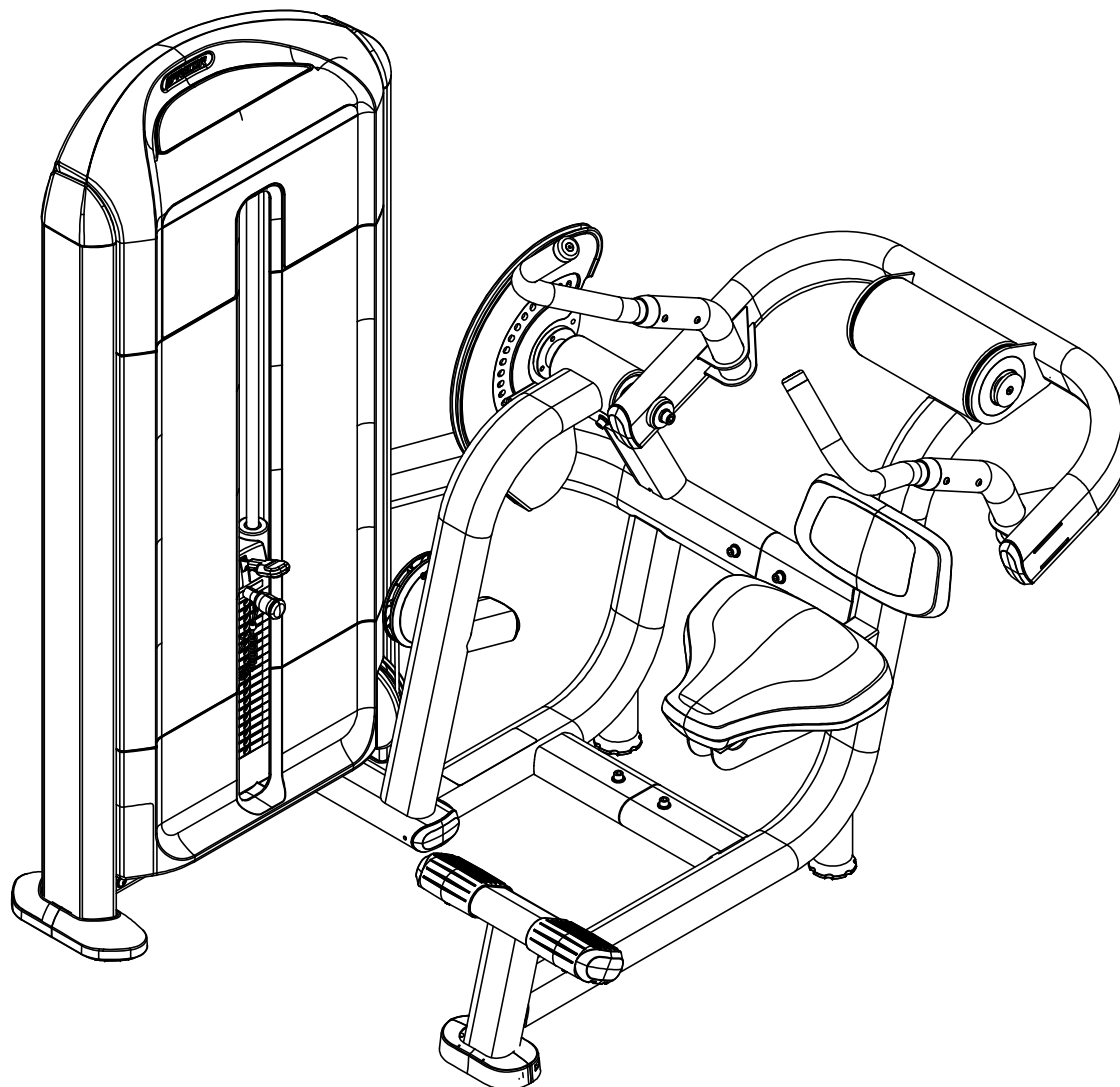
B

A

NOTES:

1 THIS LABEL IS FURNISHED AS PART OF A LABEL KIT.  
ORDER REPLACEMENT LABEL KITS AS FOLLOWS:

- 201 ENGLISH
- 202 CHINESE
- 203 FRENCH
- 204 GERMAN
- 205 JAPANESE
- 206 SPANISH
- 207 DUTCH
- 208 PORTUGUESE
- 209 RUSSIAN
- 210 HEBREW
- 211 ITALIAN



PRODUCT:				<b>PRECOR</b>	
<b>DSL712 ABDOMINAL CORE</b>					
DRWN BY	1/14/14	KAW	SIZE	PAGE	DWG. NO.
CS	11/18813	BG	A	1 OF 4	CW39072-101
					SUBREV
					A01

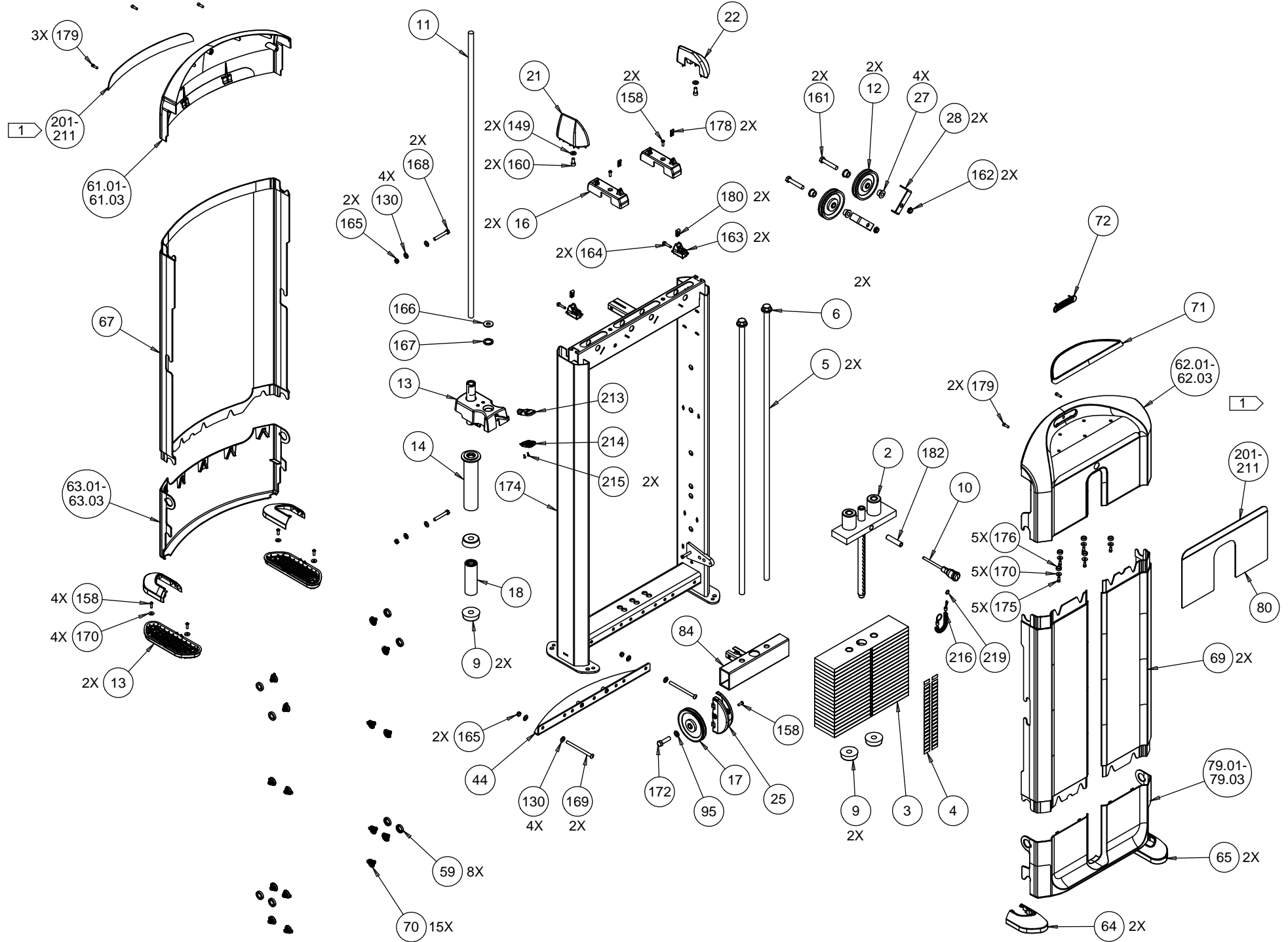
DRAWING TEMPLATE REV. B

D

C

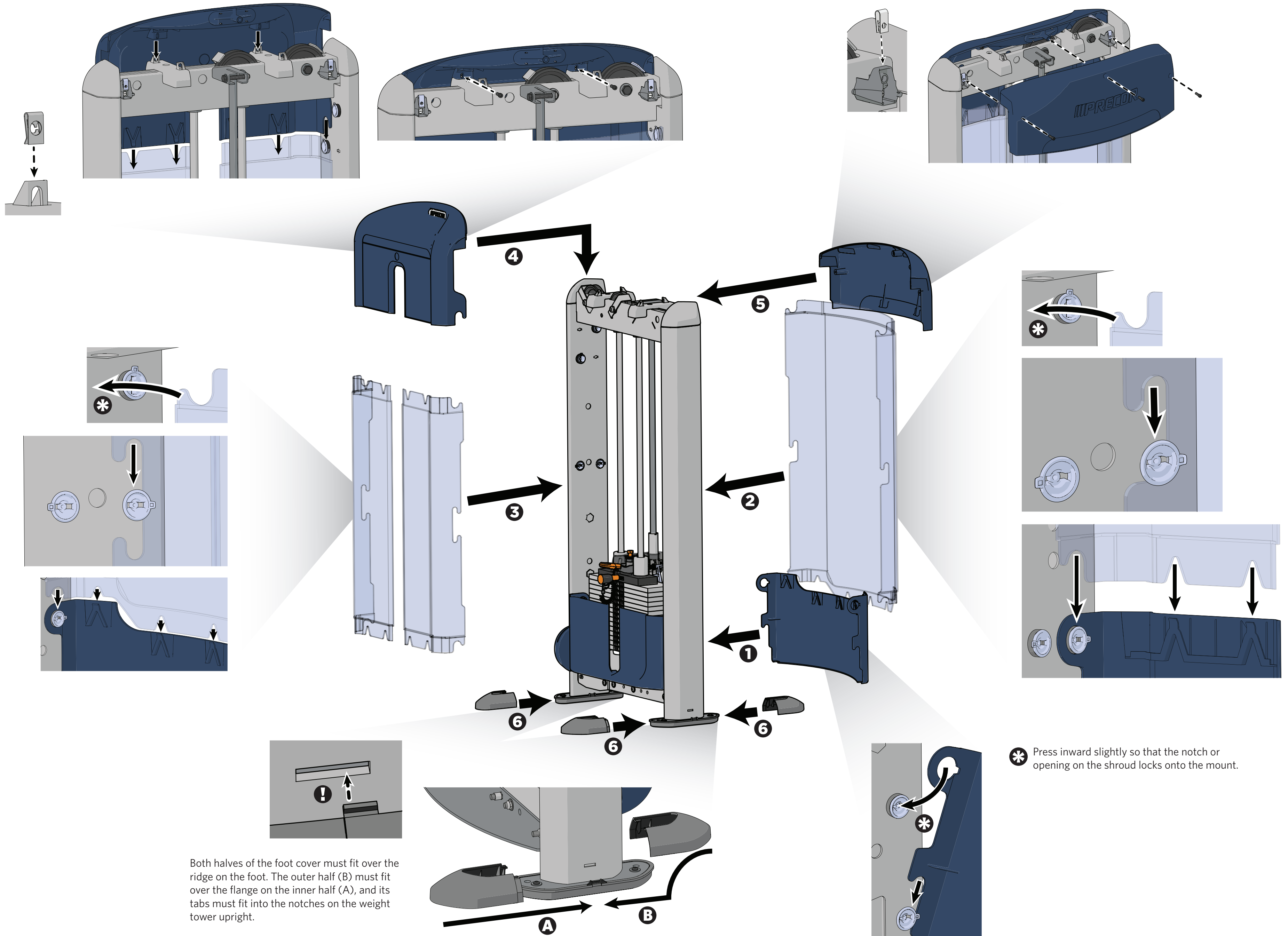
B

A









\* Press inward slightly so that the notch or opening on the shroud locks onto the mount.

Both halves of the foot cover must fit over the ridge on the foot. The outer half (B) must fit over the flange on the inner half (A), and its tabs must fit into the notches on the weight tower upright.